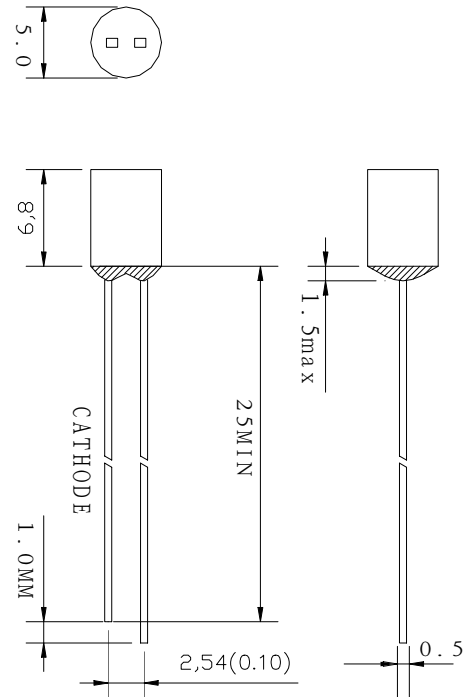


## GNL-5033xx (Φ5mm Flat Top TYPE) Ultra Brightness

ABSOLUTE MAXIMUM RATING:(Ta=25°C)

Parameter			Unit
DC Forward Current	30		mA
Reverse Voltage	5		V
Reverse Current (Vr=5V)	10		μA
Peak Forward Current ,tw ,=1 msec Duty ,=1/20	150		mA
Operation Temperature	-40	+80	°C
Storage Temperature	-40	+100	°C
Solder Dip (5 seconds,1.6mm from body ) Temperature	300	±5	°C



### Feature:

- 1.Small flange without stand-off
- 2.Long life-solid state reliability
- 3.Long lead length(25.4mm)
- 4.Versatile mounting on P.C. board or panel

### Description:

- 1.The shape of this series is round
- 2.General application is for indication,illumination,etc.
- 3.These LED lamps are available with a choice of defferent colors,light intensities,epoxy colors,etc.

Part Number	EMITTED COLOR		Lens Color	Peak Wavelength (nm)	Vf (v) Typ.	IV (If=20mA) mcd		View Angle 2 θ 1/2
						Min.	Typ.	
GNL-5033URC	GaAlAs	Super Red	Water Clear	660	1.9	110	120	80°
GNL-5033UEC	AlGaInP	Super Orange	Water Clear	625	2.0	250	350	80°
GNL-5033UGC	AlGaInP	Yellow Green	Water Clear	572	2.0	130	140	75°
GNL-5033UYC	AlGaInP	Super Yellow	Water Clear	588	2.0	250	300	80°
GNL-5033UBC	InGaN	Ultra Super Blue	Water Clear	470	3.5	400	500	80°
GNL-5033PGC	InGaN	Super Pure Green	Water Clear	525	3.5	1200	1400	70°
GNL-5033UEC-TL	AlGaInP	Super Orange	Water Clear	625	2.0	550	650	80°
GNL-5033UYC-TL	AlGaInP	Super Yellow	Water Clear	588	2.0	600	800	85°
GNL-5033UWC	InGaN	Super white	Water clear	5500K-7000K	3.5	700	800	130°